

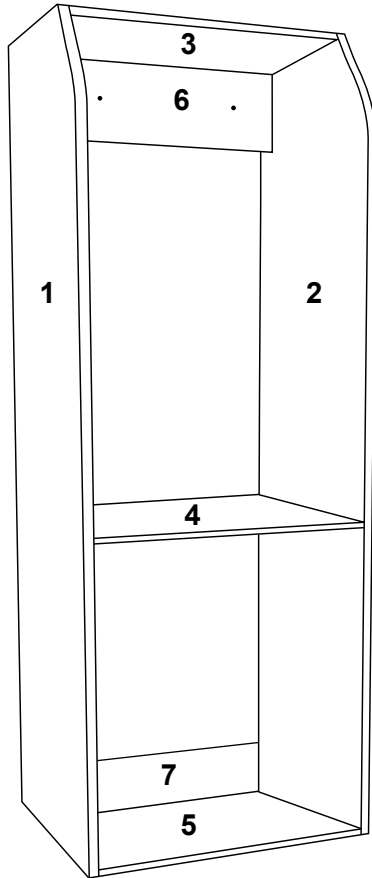
Melteca Tower Assembly and Installation Guide

For nzwardrobes.co.nz Melteca Shelving Systems



Any queries, please phone 0800 699 273

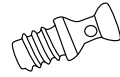
PARTS INDEX TOWER ASSEMBLY



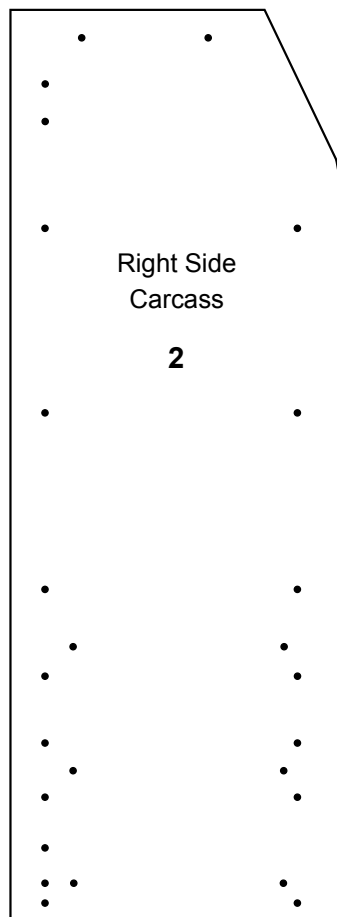
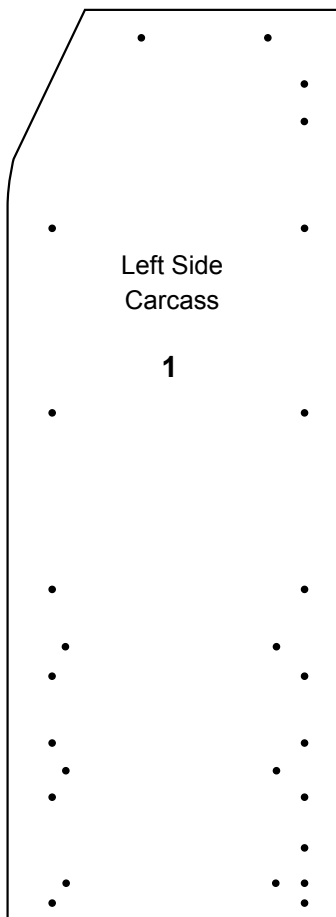
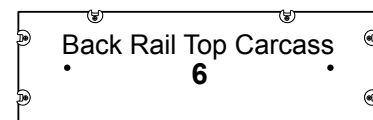
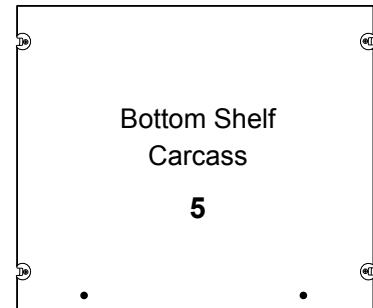
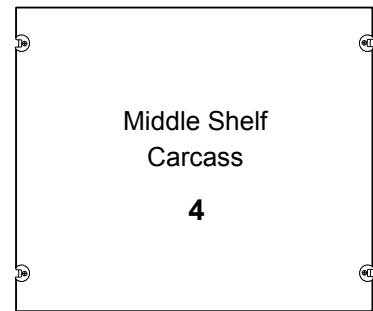
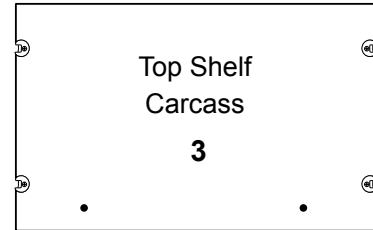
TOOLS REQUIRED



- Medium Phillips Screwdriver



Cam Screw




TOWER ASSEMBLY

STEP 1

A) Lay **Panels 1** and **2** down with the holes facing up.

B) Lay **Panels 3** and **5** down with the holes facing up and **Cams** facing down.

C) Screw the **Cam Screws** into the holes marked with a  as seen in **Fig 1**.

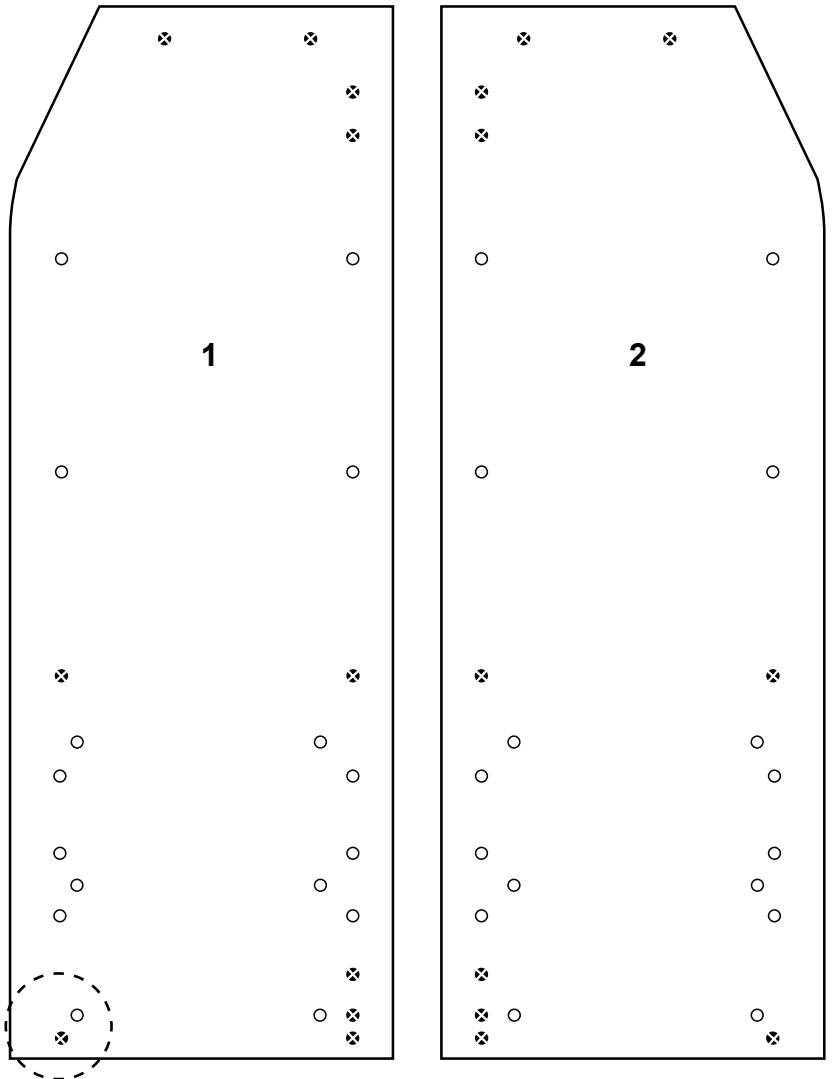
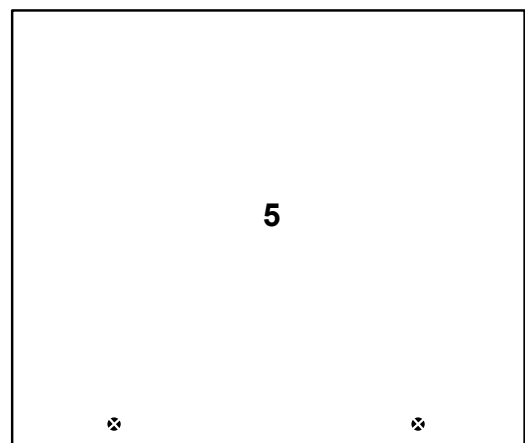
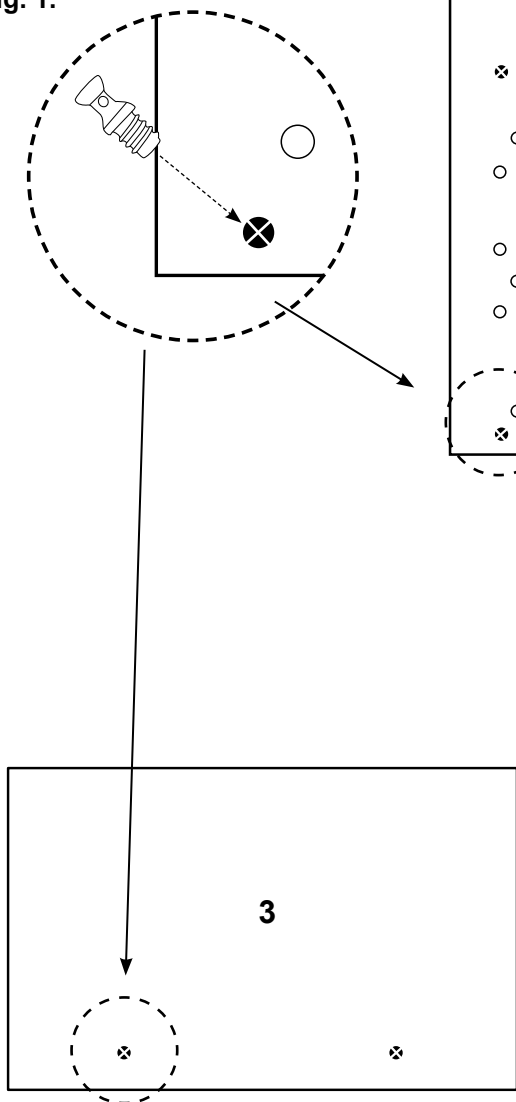


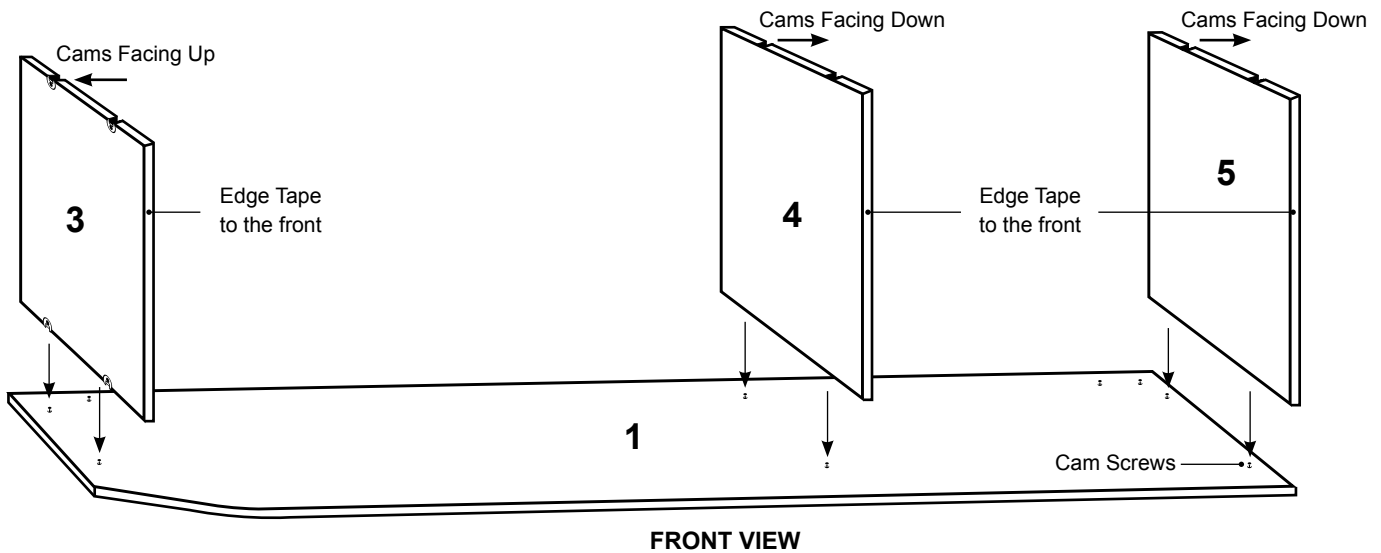
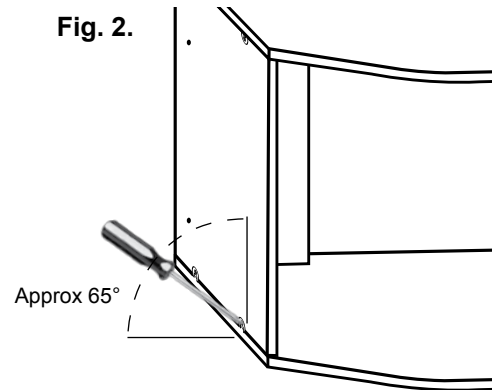
Fig. 1.



STEP 2

A) Place **Panels 3, 4 and 5** onto **Cam Screws** as per diagram below and tighten **Cams** as you go.

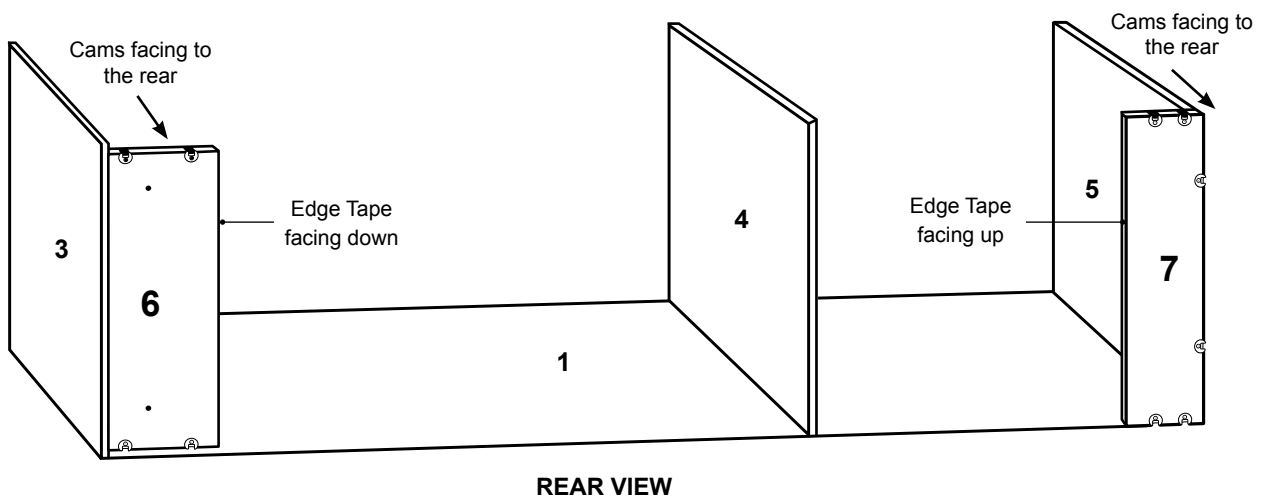
NOTE: When tightening **Cams**, hold screwdriver at an approximate **65°** angle. See **Fig 2**.



STEP 3

A) Place **Panels 6 and 7** onto **Cam Screws** as per diagram below.

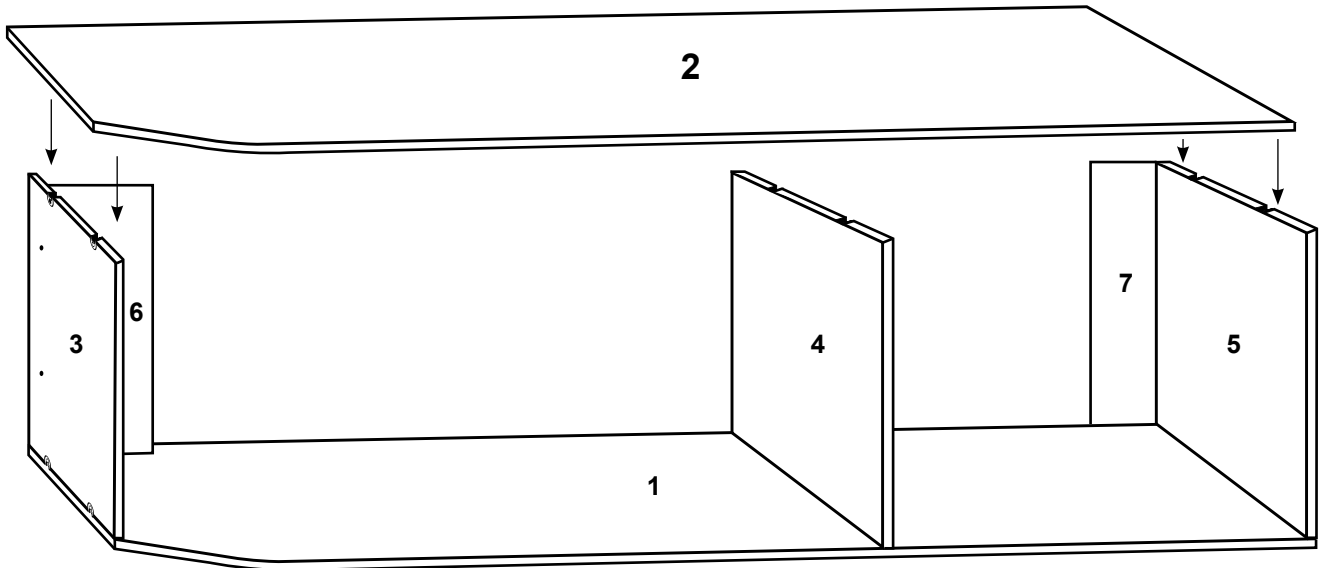
B) Tighten **Cams** as you go.



STEP 4

A) Place **Panel 2** onto **Cam Screws** as shown per diagram below.

B) Tighten **Cams** and re-check all **Cams** on the Tower are firm.



FRONT VIEW

TOOLS REQUIRED

Some tools available to purchase
@ homespace.co.nz/tools

- Cordless Drill
- Medium Phillips Screwdriver
- Tape Measure
- Level
- Pencil
- 5mm Drill Bit



PARTS INDEX INSTALLATION

- A** 2x 50mm Countersunk Wood Screw
- B** 2x 30mm Countersunk Wood Screw
- C** 6x Wall Anchors
- D** 6x 40mm Screws
- E** 4x Screw Cover Stickers
- F** Fixing Rail
- G** Assembled Tower

A



C



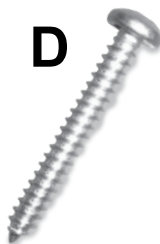
E



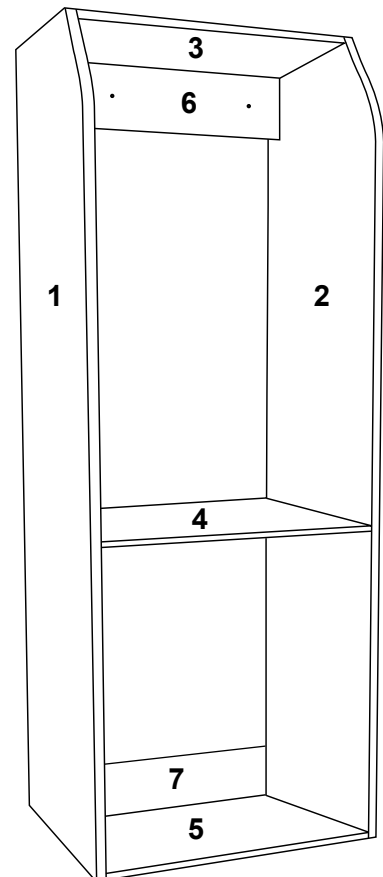
B



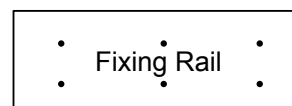
D



G



F



INSTALLATION

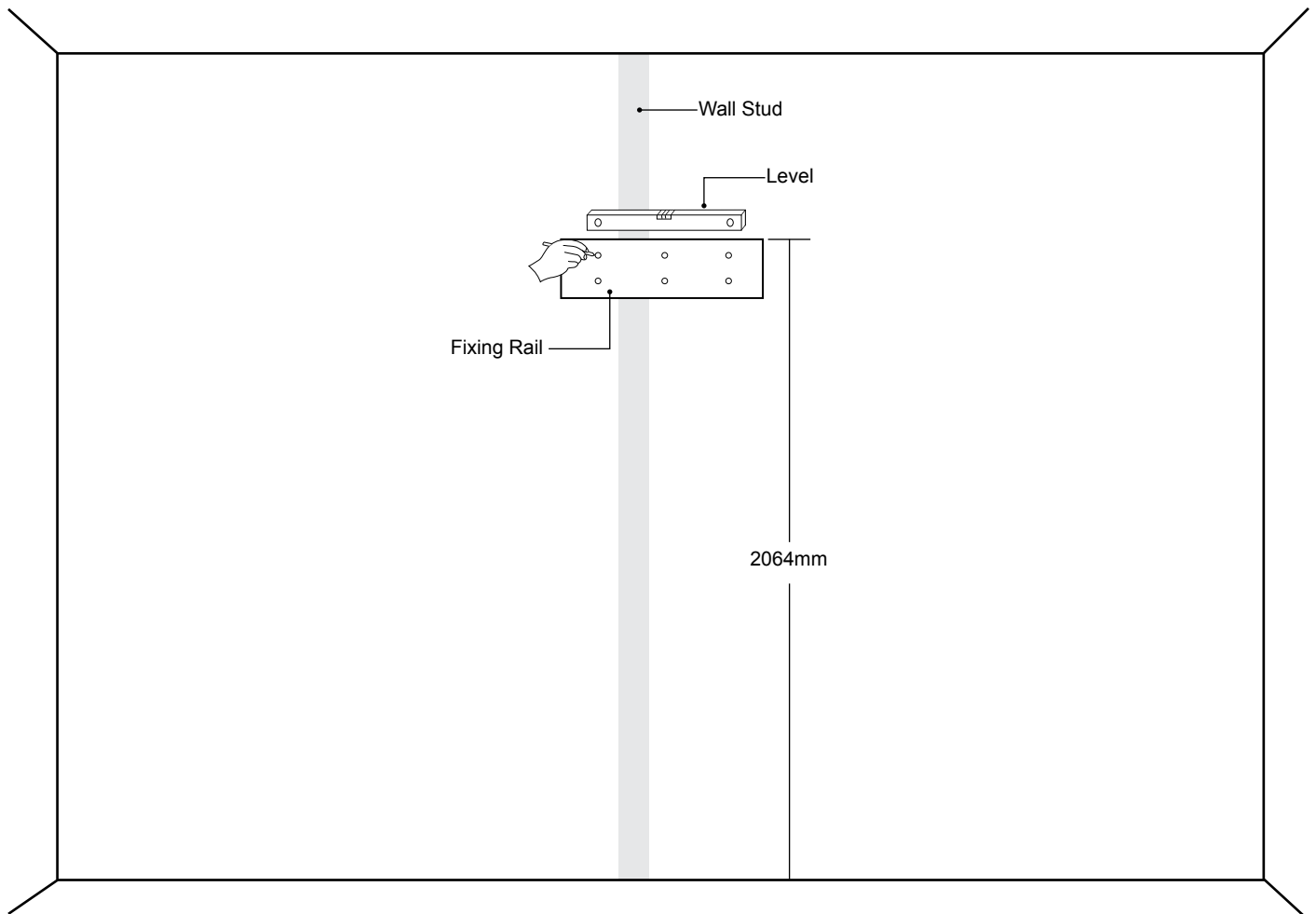
STEP 1

Locate a wall stud to secure the **MDF Tower** to the wall. The **Wall Stud** needs to be behind the **Fixing Rail** but not in the centre.

STEP 2

If you would like to use the standard 2080mm height for the tower, the **Fixing Rail** will be 2064mm from the floor to the top of the **Fixing Rail**.

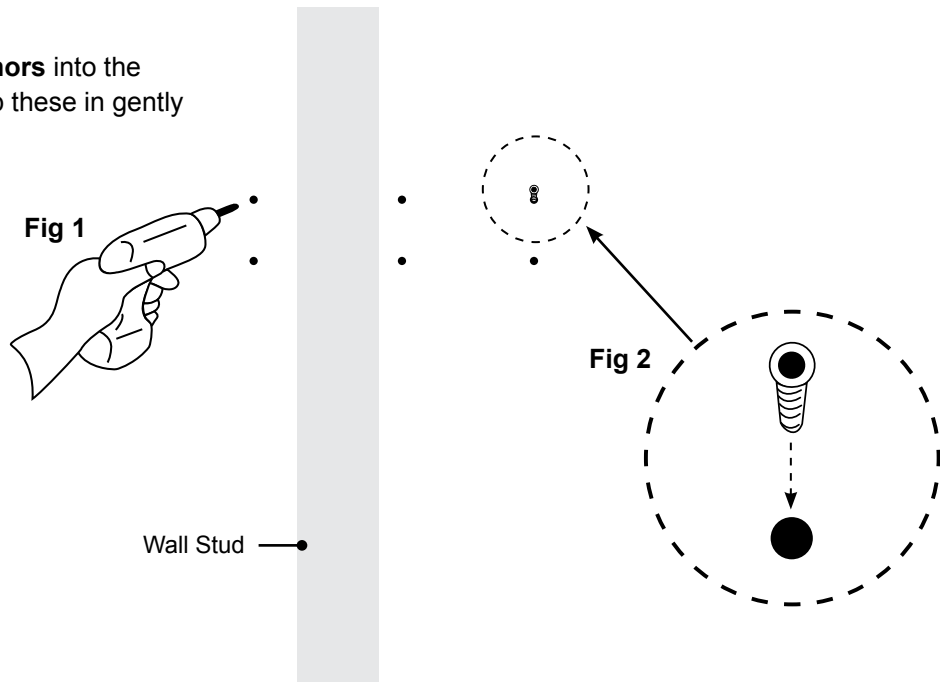
Place the **Fixing Rail** onto the wall, taking care to ensure the **Fixing Rail** is level. Using a screw (**D**), push through the holes in the **Fixing Rail** to mark the wall.



STEP 3

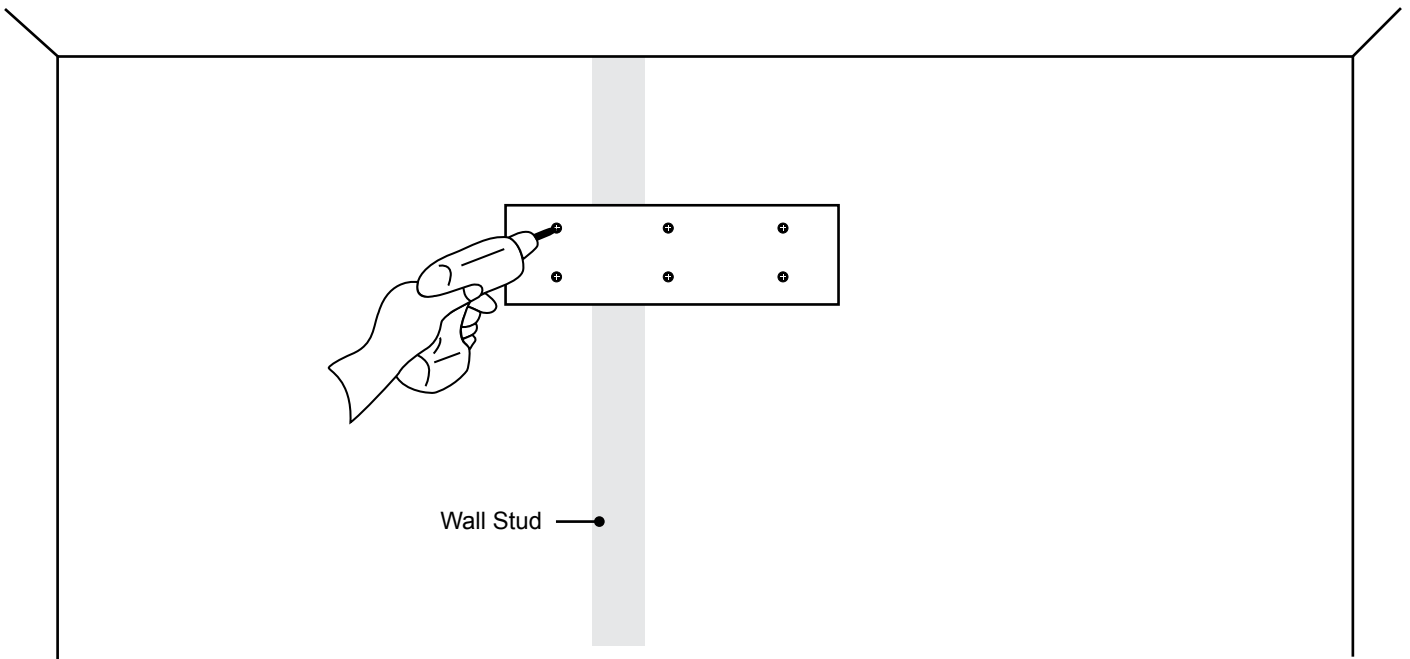
Fig 1) Remove the **Fixing Rail** and drill 5mm holes where you have marked with the screw.

Fig 2) Push the **Wall Anchors** into the holes. (You will need to tap these in gently with a hammer).



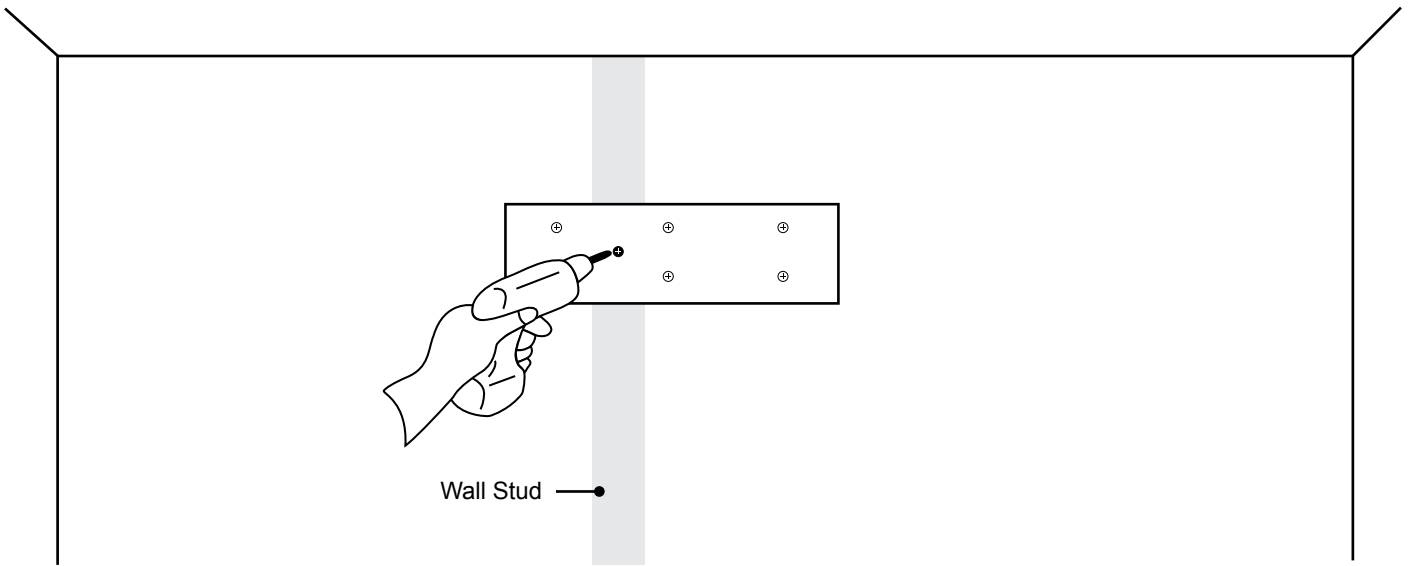
STEP 4

Using the **Screws (D)** provided screw the **Fixing Rail** to the wall.



STEP 5

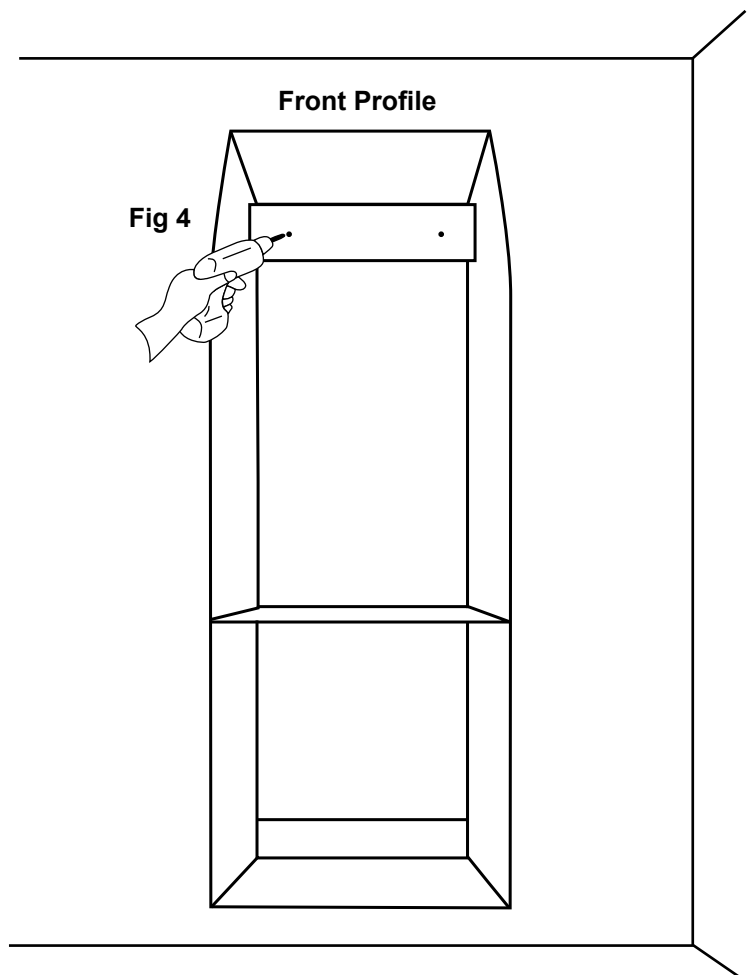
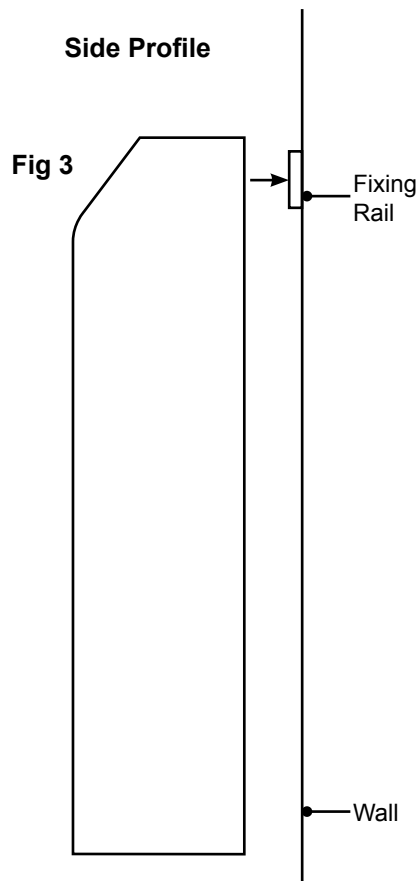
Using **Screw (A)**, drill through the **Fixing Rail** and into the **Wall Stud**.



STEP 6

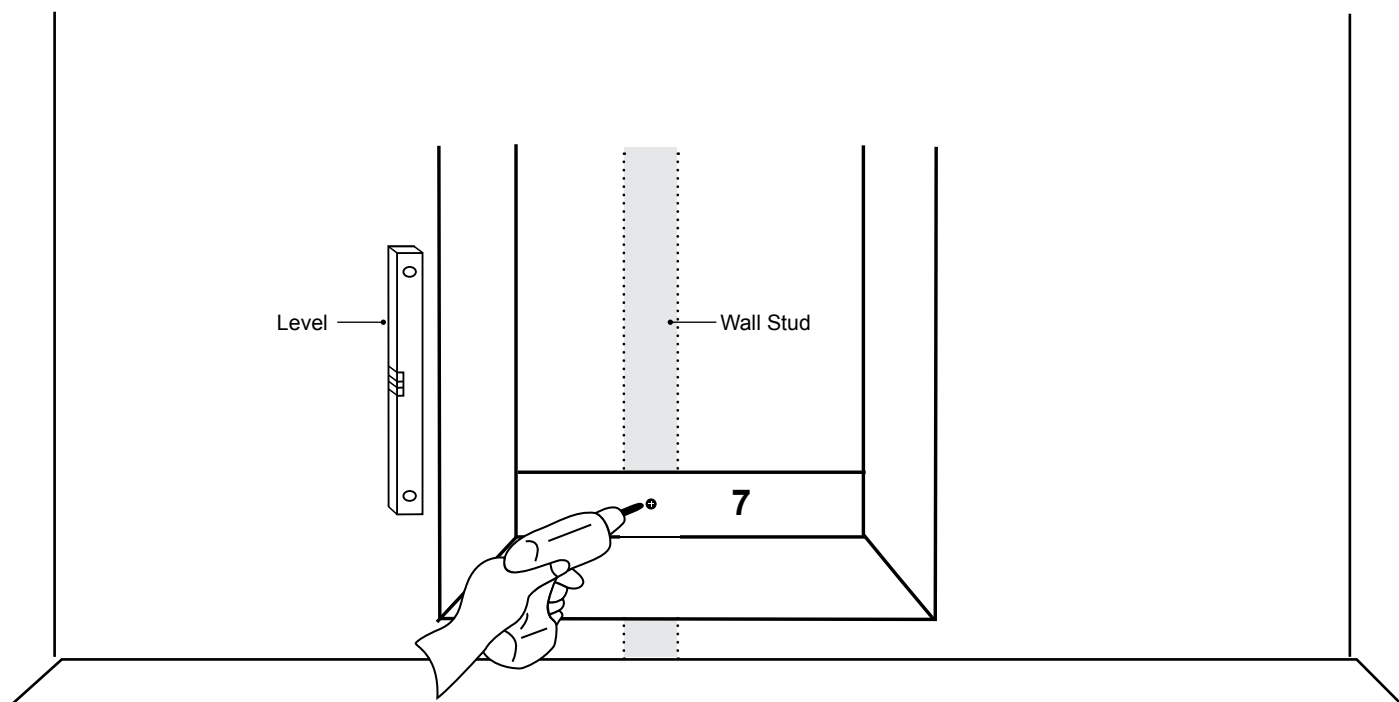
Fig 3) Lift the **Tower Unit** onto the **Fixing Rail**.

Fig 4) Using the **Screws (B)**, screw the **Tower** to the **Fixing Rail** using the pre-drilled holes.



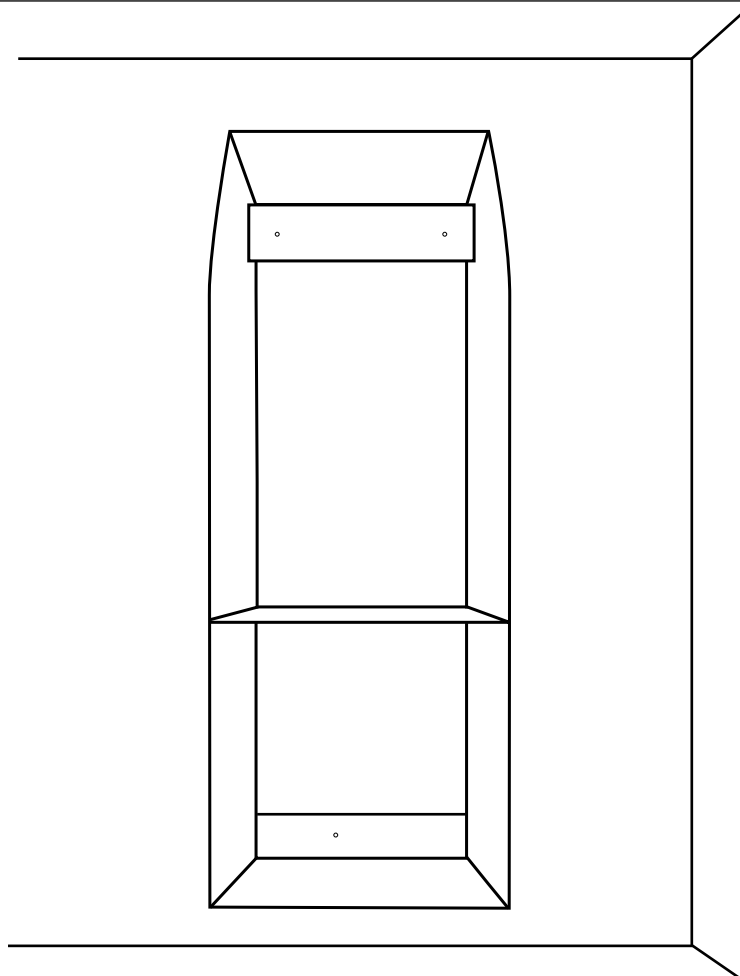
STEP 7

Ensuring the Tower is level, screw **Screw (A)** through **Panel 7** and into the **Wall Stud**.



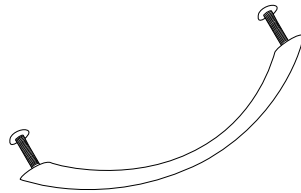
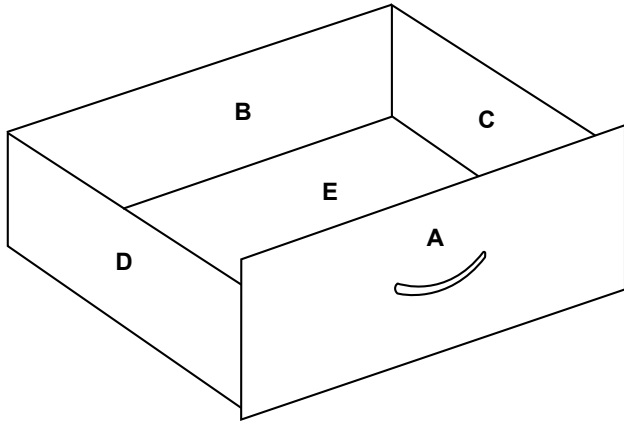
STEP 8

Place the **Cover Stickers (E)** over the screw heads on **Panels 6 and 7**.

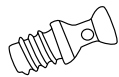


PARTS INDEX

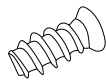
Drawer Assembly



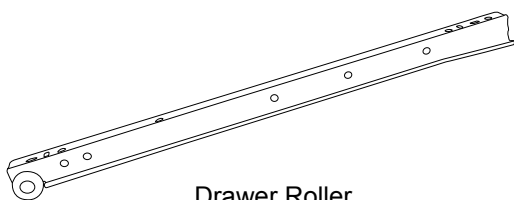
Drawer Handle



Cam Screw



Draw Roller Screw

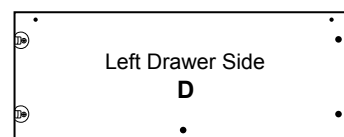
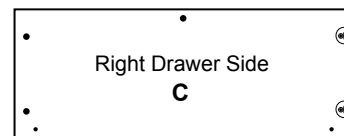
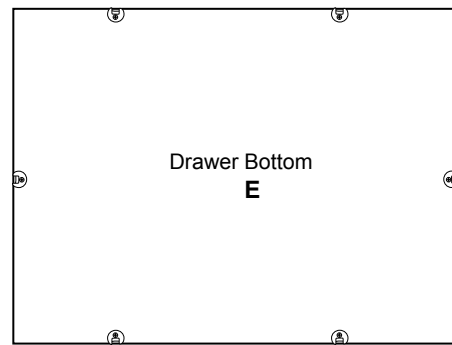
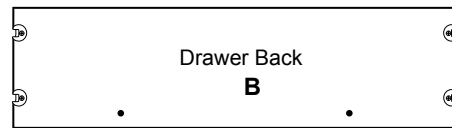
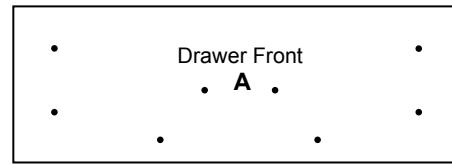


Drawer Roller

TOOLS REQUIRED



- Medium Phillips Screwdriver




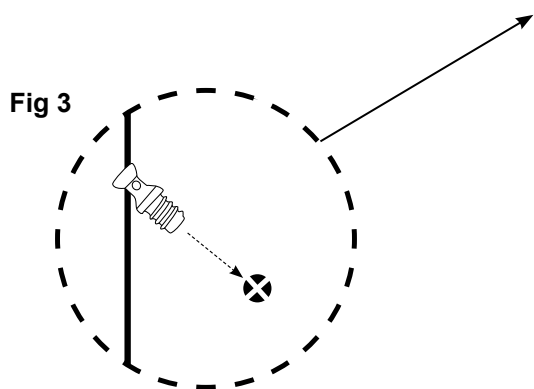
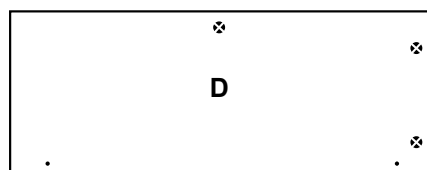
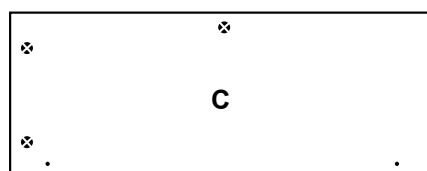
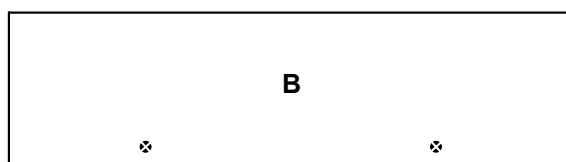
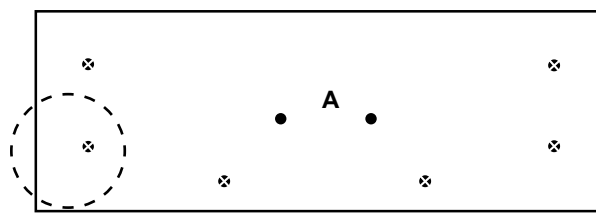
DRAWER ASSEMBLY

STEP 1

A) Lay **Panel A** down with the holes facing up.

B) Lay **Panels B, C** and **D** down with the holes facing up and **Cams** facing down.

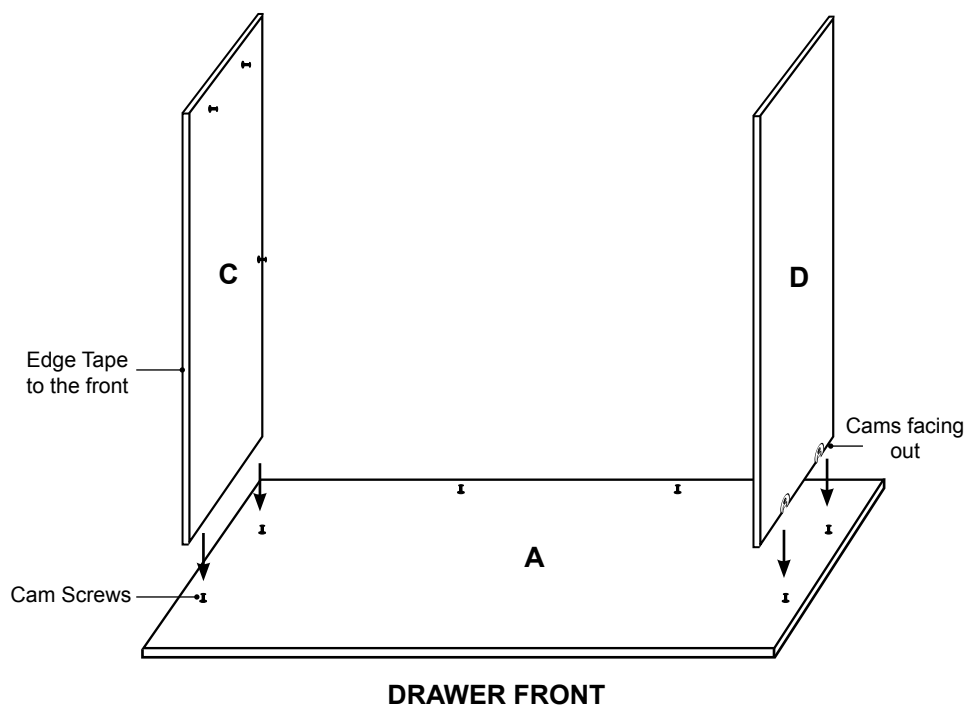
C) Screw the **Cam Screws** into the holes marked with a  as seen in **Fig 3**.



STEP 2

A) Place **Drawer Sides C** and **D** onto **Cam Screws** as per diagram below.

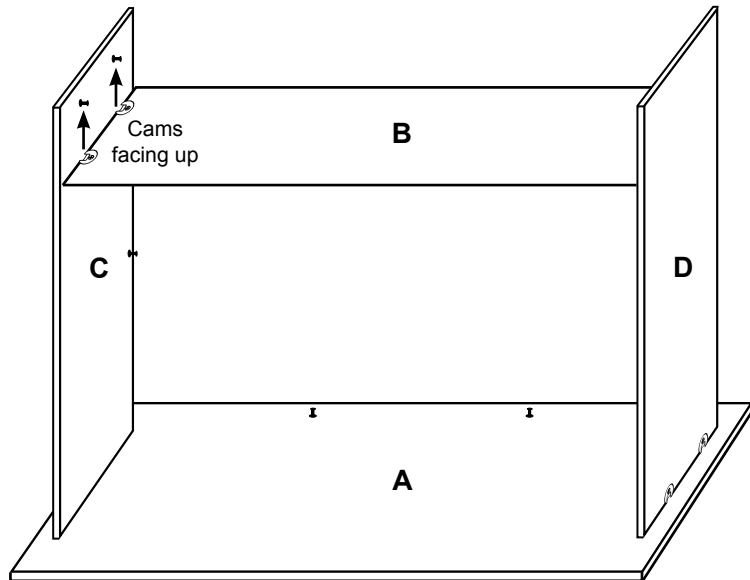
B) Tighten **Cams** as you go.



STEP 3

A) Slide **Panel B** up into **Cam Screws** as shown in diagram below.

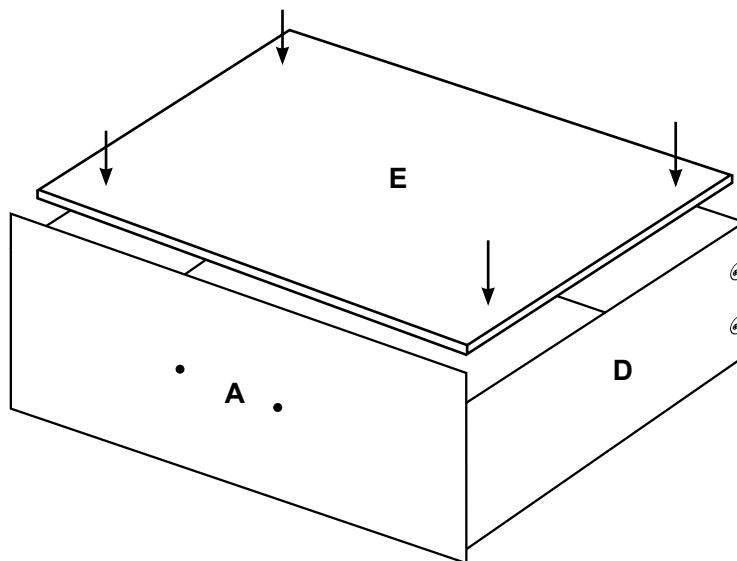
B) Hold **Panel B** up in position and tighten **Cams**.



STEP 4

A) Push **Panel E** with the **Cams** facing down onto the **Cam Screws**.

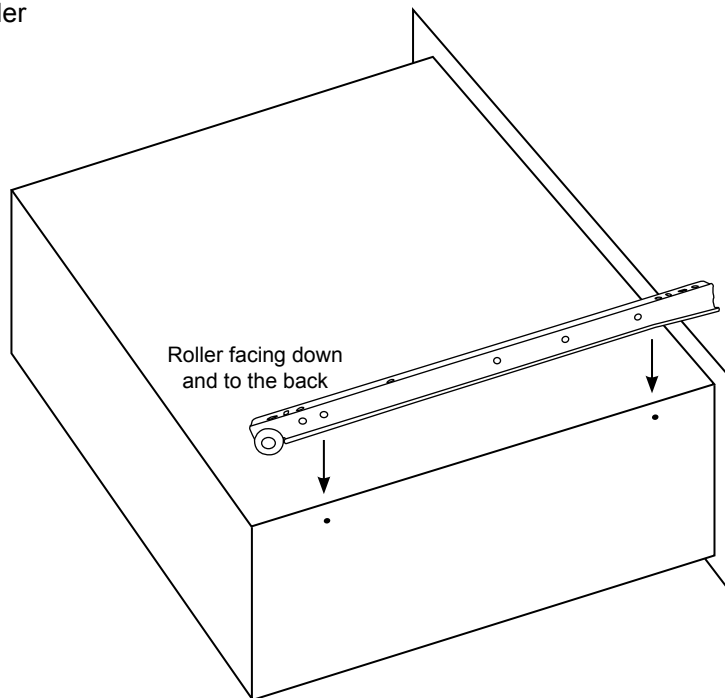
B) Tighten the **Cams**



STEP 6

A) Place **Drawer Runners** as per diagram below onto assembled Drawer.

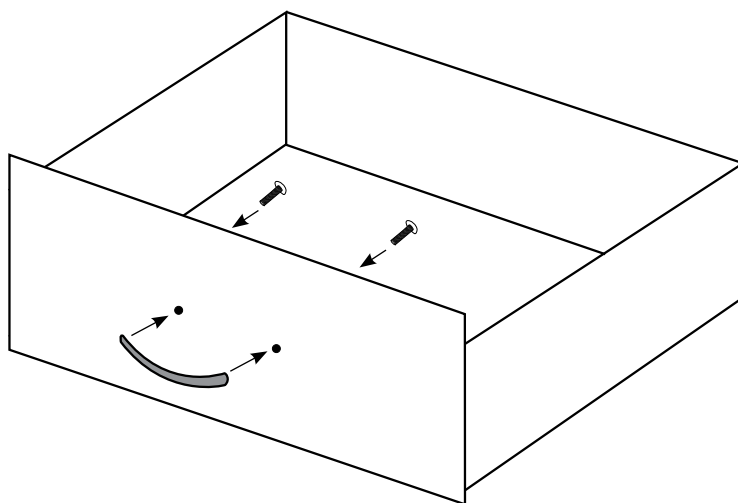
B) Using pre-drilled holes and Drawer Roller Screws, screw on **Drawer Runners**.



STEP 7


Screw the **Drawer Handles** to the **Drawer Front** as shown in diagram below.

Re-check all the **Cams** on the **Drawer** are firm.



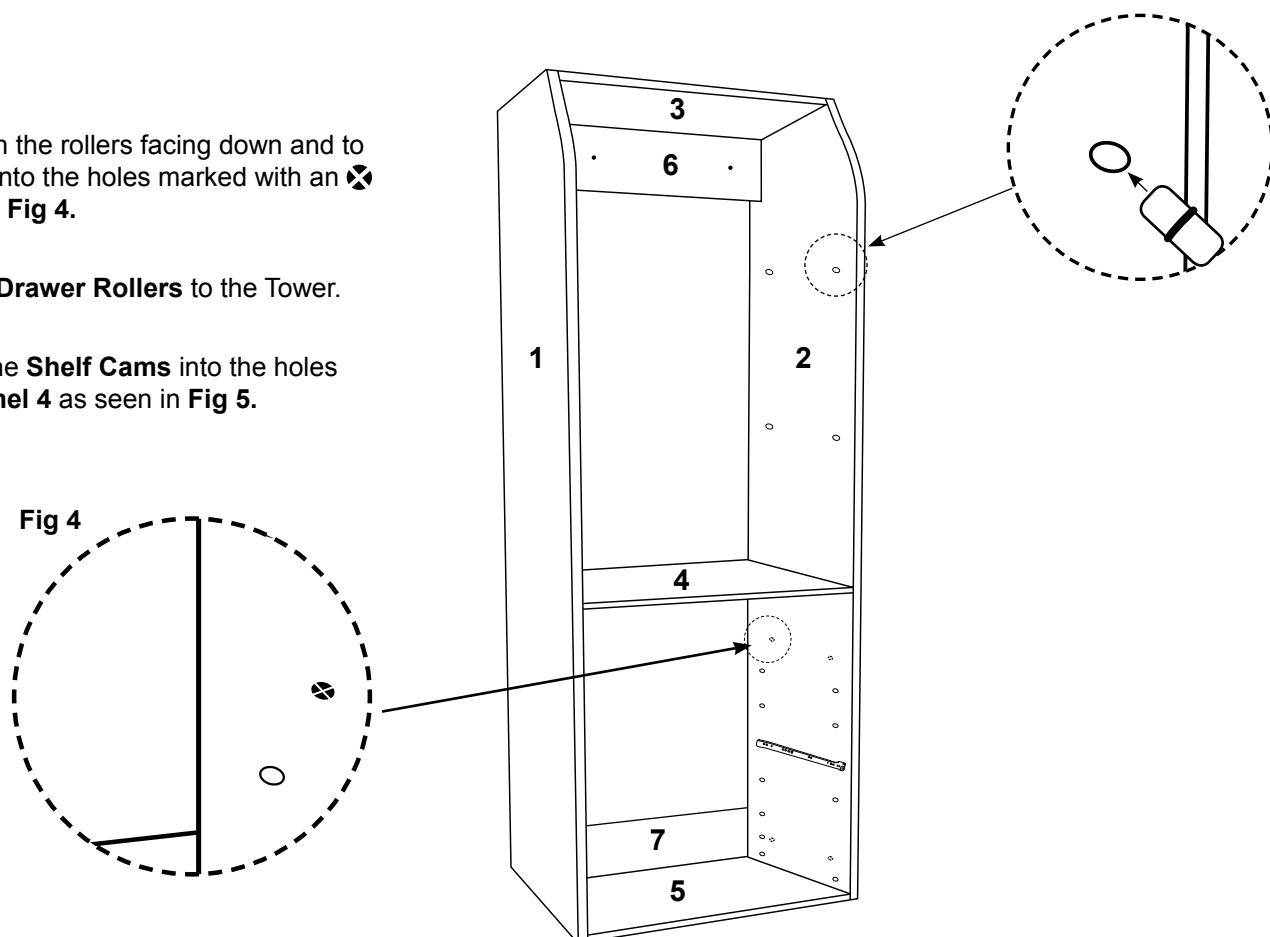
FITTING DRAWERS AND SHELVES

STEP 1

A) Position the rollers facing down and to the front onto the holes marked with an  as seen in Fig 4.

B) Screw **Drawer Rollers** to the Tower.

C) Push the **Shelf Cams** into the holes above **Panel 4** as seen in Fig 5.



STEP 2

Slide in **Drawers** and place shelves onto **Cam Screws**.

